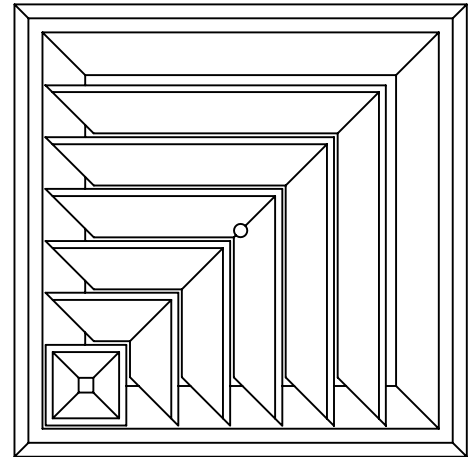
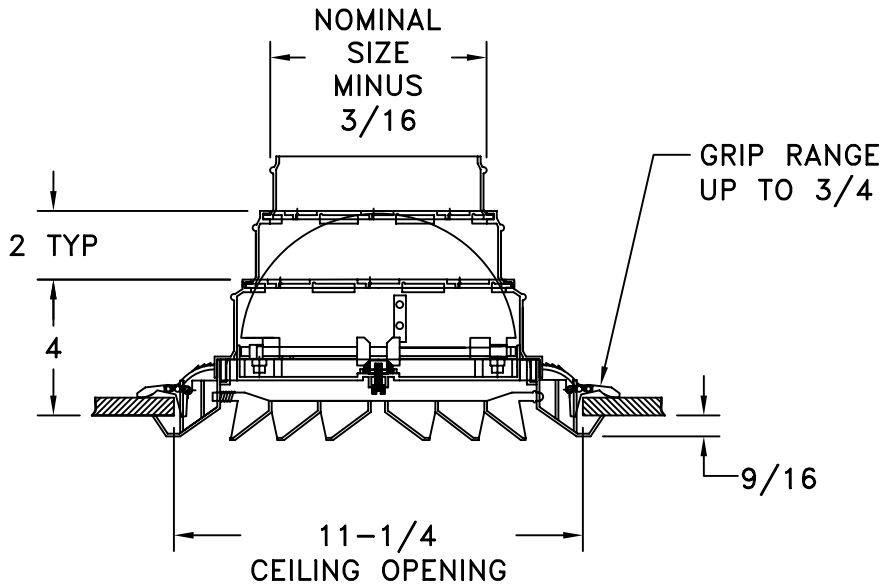
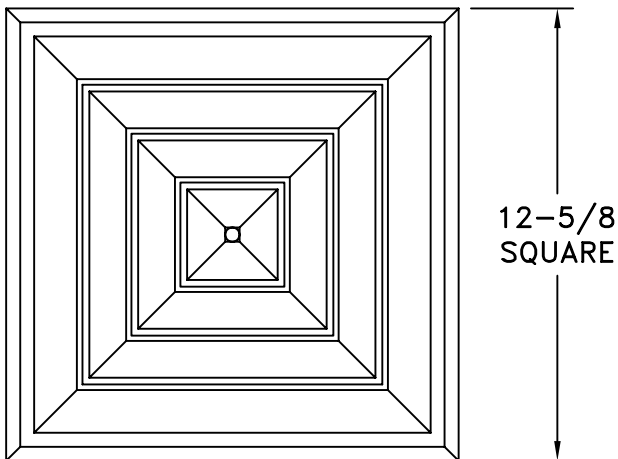


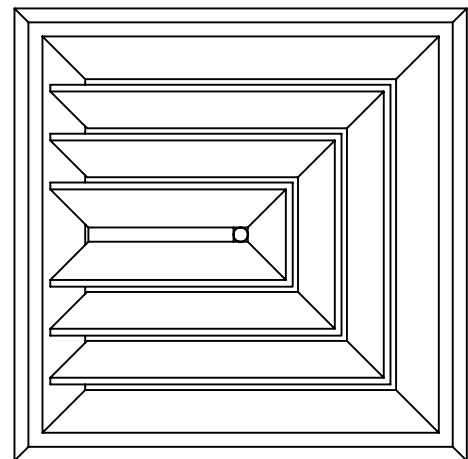
- ENGINEERED POLYMER CONSTRUCTION
- REMOVABLE CORE
- RATCHETING CAM LOCK CEILING ATTACHMENT
- TIE STRAP INCLUDED
- INTEGRAL 6, 7 AND 8 INCH COLLARS WITH FLEX DUCT BEAD
- BUILT IN BUTTERFLY DAMPER



**2-WAY CORNER
RZ505**



**4-WAY
RZ504**



**3-WAY
RZ503**

JOB NAME: _____
 LOCATION: _____
 ARCHITECT: _____
 ENGINEER: _____
 CONTRACTOR: _____

SUBMITTED BY: _____

DATE: 11/16/04

SD-2158

RZ500
 Square Plastic
 Ceiling Diffuser